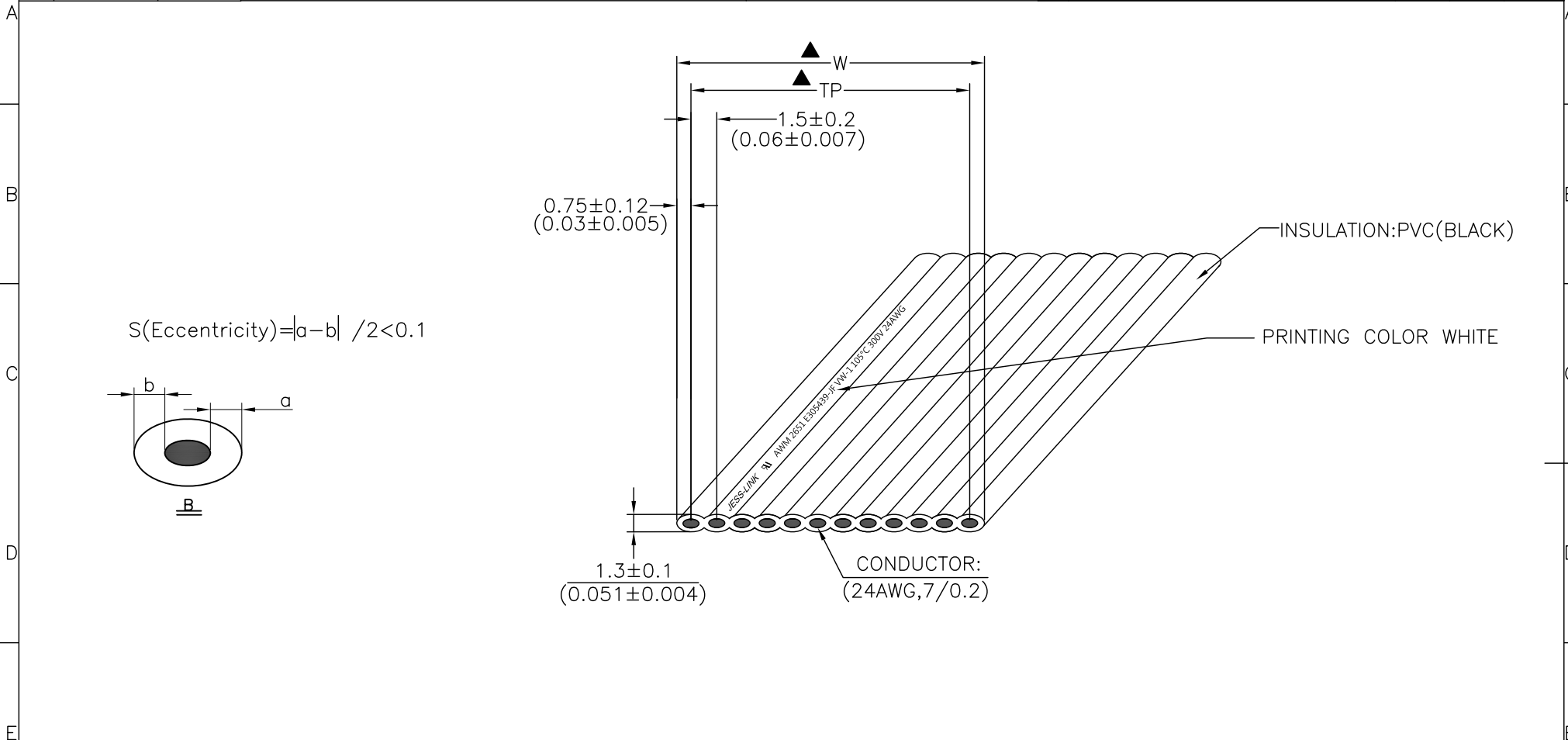


| | | |
|------|----|----|
| (M1) | \\ | \\ |
| (M2) | \\ | \\ |
| | | |

THIS DRAWING AND THE DATA DISCLOSED HEREIN OR HEREWITH IS NOT TO BE REPRODUCED USED OR DISCLOSED IN WHOLE OR IN PART TO ANYONE WITHOUT THE PERMISSION OF JESS-LINK PRODUCTS CO.,LTD.(JPC)

CUSTOMER DRAWING

| REV. | DESCRIPTION | MDF'D | APP'D | DATE |
|------|----------------------------------|-------|-------|-----------|
| A1 | First Edition | Pefer | | 7/02/2020 |
| A2 | Modification of printing content | Ling | | 1/04/2021 |



NOTE:
 JESS-LINK AWM 2651 E305439-JF VW-1 105°C 300V 24AWG

| | | | | | | |
|-----------------------|-------------------------------------------|------------|-------------------------|-------------------------|----------------|--|
| RoHS COMPLIANT | Unit : mm | PROJECTION | | JPC connectivity | | |
| | GENERAL TOLERANCES: (UNLESS SPECIFIED) | | | | | |
| | 0 = ±1 | D.R. Ling | TITLE | CUSTOMER | FILE NO. | |
| | 0.0 = ±.50 | CH.K | H28D series 24AWG P=1.5 | CUSTOMER P/N | PCBP11216001-7 | |
| 0.00 = ±.20 | Pefer | SCALE | SIZE | PART NO. | REV. A2 | |
| 0.000 = ±.05 | APV.D | NONE | A4 | PCBP11216001-7 | SH,T NO.1 OF 3 | |
| 0° = ± 1° | Benson | | | | | |
| 0.0° = ±.50° | | | | | | |

| | | | | | | | | | |
|------|---|---|-------------------------------------------------------------------------------------------------------------------------------------------------------------------------------------------|------------------|------|----------------------------------|-------|-------|-----------|
| (M1) | \ | \ | THIS DRAWING AND THE DATA DISCLOSED HEREIN OR HEREWITH IS NOT TO BE REPRODUCED USED OR DISCLOSED IN WHOLE OR IN PART TO ANYONE WITHOUT THE PERMISSION OF JESS-LINK PRODUCTS CO.,LTD.(JPC) | CUSTOMER DRAWING | REV. | DESCRIPTION | MDF'D | APP'D | DATE |
| (M2) | \ | \ | | | A1 | First Edition | Pefer | | 7/02/2020 |
| | | | | | A2 | Modification of printing content | Ling | | 1/04/2021 |

SPECIFICATIONS:

UL GRADE:

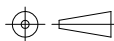
UL Style.....2651
 Rate Temperature.....-20°C To 105°C
 Rate Voltage.....MAX.300V
 Flame Test.....VW-1

ELECTRONIC CHARACTERISTICS:

Spark test.. ..3000V
 Dielectric strength test.. ..Min 2KV in 1 minute
 Conductor resistance.. ..MAX 93.2Ω/km
 Insulation resistance.. ..Min 250MΩ/10FT
 Capacity.. ..44.7PF/m(REF)
 Inductance.. ..0.013 μH/m(REF)
 Impedance.. ..129±15Ω(G-S-G)(REF)
 Propagation delay time.. ..4.9ns/m(REF)

PHYSICAL PROPERTY:

Conductor:tinned copper
 AWG size.. ..24 AWG
 Material of insulation.. ..Polyvinyl chloride(PVC)BLACK
 Insulation thickness average.. ..9 milS
 Min insulation thickness.. ..7 milS

| | | | | | | | |
|-----------------------|----------------------------------------------------------------------------------|---------------------------------------------------------------------------------------|-------------------------|-------------------------|----------|----------------|--|
| RoHS COMPLIANT | Unit : mm | PROJECTION | | JPC connectivity | | | |
| | GENERAL TOLERANCES: (UNLESS SPECIFIED) |  | | | | | |
| | 0 = ±1 0.0 = ±.50 0.00 = ±.20 0.000 = ±.05 0° = ± 1° 0.0° = ±.50° | D.R. Ling | TITLE | CUSTOMER | FILE NO. | PCBP11216001-7 | |
| | | CH.K Pefer | H2BD series 24AWG P=1.5 | CUSTOMER P/N | | | |
| | APV.D Benson | SCALE NONE | SIZE A4 | PART NO. PCBP11216001-7 | REV. A2 | SH,T NO.2 OF 3 | |
| | | | | | | | |

| | | |
|------|---|---|
| (M1) | \ | \ |
| (M2) | \ | \ |
| | | |

THIS DRAWING AND THE DATA DISCLOSED HEREIN OR HEREWITH IS NOT TO BE REPRODUCED USED OR DISCLOSED IN WHOLE OR IN PART TO ANYONE WITHOUT THE PERMISSION OF JESS-LINK PRODUCTS CO.,LTD.(JPC)

CUSTOMER DRAWING

| REV. | DESCRIPTION | MDF'D | APP'D | DATE |
|------|----------------------------------|-------|-------|-----------|
| A1 | First Edition | Pefer | | 7/02/2020 |
| A2 | Modification of printing content | Ling | | 1/04/2021 |

| CODE NO. | NUMBER OF CORES | WIDTH(mm) | TP(mm) | ALLOWABLE ERROR mm |
|----------|-----------------|-----------|--------|--------------------|
| H28D*3 | 3 | 4.50 | 3.00 | ±0.30 |
| H28D*4 | 4 | 6.00 | 4.50 | ±0.30 |
| H28D*5 | 5 | 7.50 | 6.00 | ±0.30 |
| H28D*6 | 6 | 9.00 | 7.50 | ±0.30 |
| H28D*7 | 7 | 10.50 | 9.00 | ±0.30 |
| H28D*8 | 8 | 12.00 | 10.50 | ±0.30 |
| H28D*9 | 9 | 13.50 | 12.00 | ±0.30 |
| H28D*10 | 10 | 15.00 | 13.50 | ±0.30 |
| H28D*11 | 11 | 16.50 | 15.00 | ±0.30 |
| H28D*12 | 12 | 18.00 | 16.50 | ±0.30 |
| H28D*13 | 13 | 19.50 | 18.00 | ±0.30 |
| H28D*14 | 14 | 21.00 | 19.50 | ±0.40 |
| H28D*15 | 15 | 22.50 | 21.00 | ±0.40 |
| H28D*16 | 16 | 24.00 | 22.50 | ±0.40 |
| H28D*17 | 17 | 25.50 | 24.00 | ±0.40 |
| H28D*18 | 18 | 27.00 | 25.50 | ±0.40 |
| H28D*19 | 19 | 28.50 | 27.00 | ±0.40 |
| H28D*20 | 20 | 30.00 | 28.50 | ±0.40 |
| H28D*21 | 21 | 31.50 | 30.00 | ±0.40 |

| CODE NO. | NUMBER OF CORES | WIDTH(mm) | TP(mm) | ALLOWABLE ERROR mm |
|----------|-----------------|-----------|--------|--------------------|
| H28D*22 | 22 | 33.0 | 31.5 | ±0.40 |
| H28D*23 | 23 | 34.5 | 33.0 | ±0.40 |
| H28D*24 | 24 | 36.0 | 34.5 | ±0.40 |
| H28D*25 | 25 | 37.5 | 36.0 | ±0.40 |
| H28D*26 | 26 | 39.0 | 37.5 | ±0.40 |
| H28D*27 | 27 | 40.5 | 39.0 | ±0.40 |
| H28D*28 | 28 | 42.0 | 40.5 | ±0.40 |
| H28D*29 | 29 | 43.5 | 42.0 | ±0.40 |
| H28D*30 | 30 | 45.0 | 43.5 | ±0.40 |
| H28D*31 | 31 | 46.5 | 45.0 | ±0.40 |
| H28D*32 | 32 | 48.0 | 46.5 | ±0.40 |
| H28D*33 | 33 | 49.5 | 48.0 | ±0.40 |
| H28D*34 | 34 | 51.0 | 49.5 | ±0.40 |
| H28D*35 | 35 | 52.5 | 51.0 | ±0.40 |
| H28D*36 | 36 | 54.0 | 52.5 | ±0.40 |
| H28D*37 | 37 | 55.5 | 54.0 | ±0.40 |
| H28D*38 | 38 | 57.0 | 55.5 | ±0.40 |
| H28D*39 | 39 | 58.5 | 57.0 | ±0.40 |
| H28D*40 | 40 | 60.0 | 58.5 | ±0.40 |

| | | | | | | |
|-----------------------|----------------------------------------|------------|-------|-------------------------|----------------|----------------|
| RoHS COMPLIANT | Unit : mm | PROJECTION | | JPC connectivity | | |
| | GENERAL TOLERANCES: (UNLESS SPECIFIED) | | | | | |
| | 0 = ±1 | D.R. | Ling | TITLE | CUSTOMER | FILE NO. |
| | 0.0 = ±.50 | CH.K | Pefer | H28D series 24AWG P=1.5 | CUSTOMER P/N | PCBP11216001-7 |
| 0.00 = ±.20 | APV.D | Benson | SCALE | SIZE | PART NO. | |
| 0.000 = ±.05 | | | NONE | A4 | PCBP11216001-7 | |
| 0° = ± 1' | | | | | REV. A2 | |
| 0.0° = ±.50° | | | | | SH,T NO.3 OF 3 | |